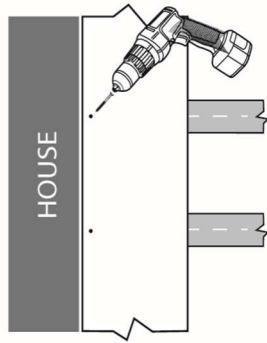


Hidden Fastener Installation Guide

Step 1

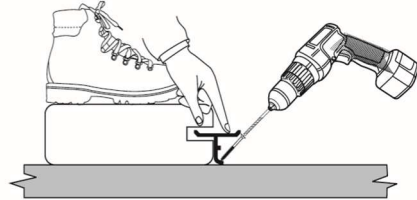
Install the first board



Fasten one edge of the first board at each framing support using a quality 2½" (64mm) deck screw. It is important that this board is straight and well secured.

Step 3

Install the first fastener

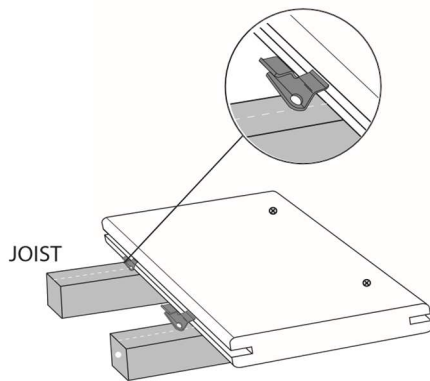


While standing on deck board, install provided screw at 45° angle through fastener and into joist, while applying pressure on fastener. Install one fastener and screw at each support joist.

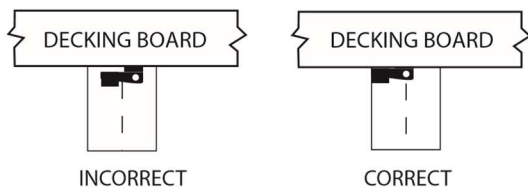
Make sure fastener body is vertical to deck board and the screw is holding fastener down tight to support joist. adjust torque setting on screw gun to prevent spin out of the screw head.

Step 2

Position fasteners

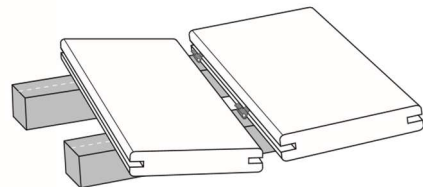


Fully insert TC-G or TC-120 fastener into grooved edge of deck board. Screw hole should line up with the center of support joist.

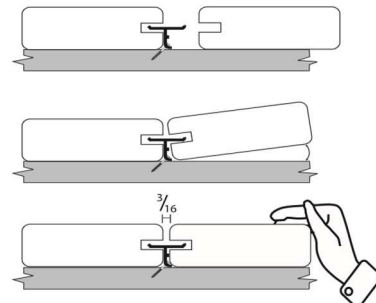


Step 4

Completing installation of boards



- Place next deck board into position against fasteners. Slightly raise outer edge of board being installed and slide board onto fastener until board contacts spacer tabs.



- Check gap between boards for consistency. Apply force to ensure board is fully installed.

Repeat steps 2 thru 4 until deck is complete.